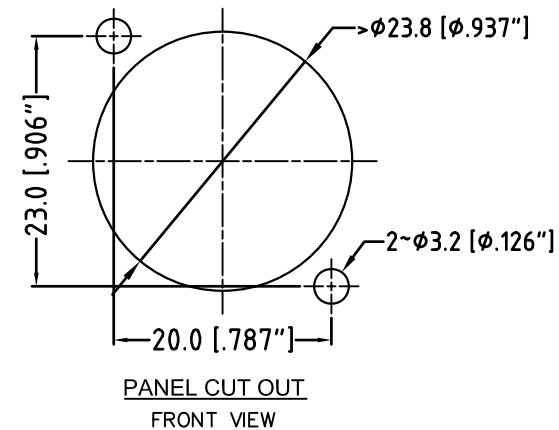
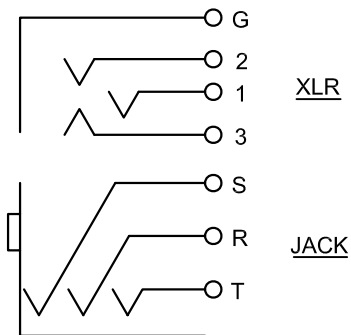
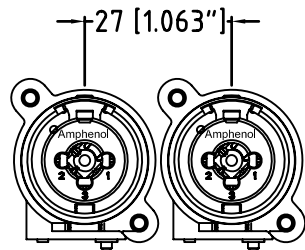
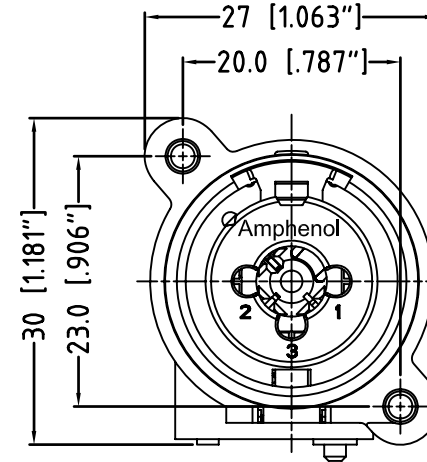
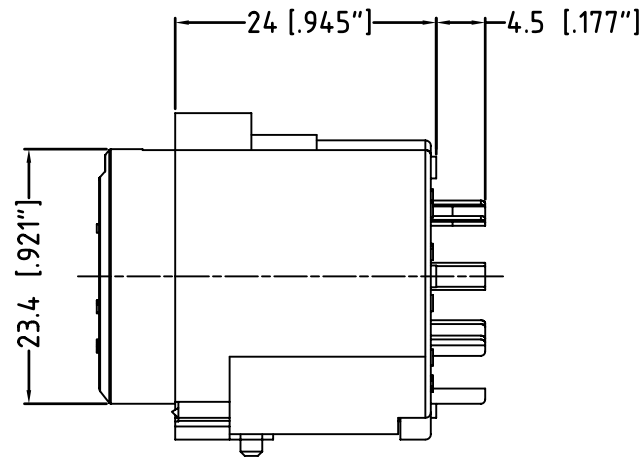
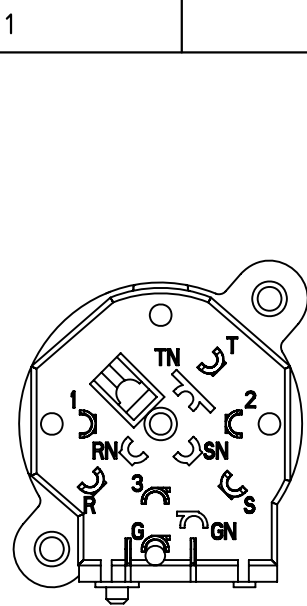


MIN MOUNTING PITCH
ACTUAL SIZE

CONTACTS SCHEMATIC CHART

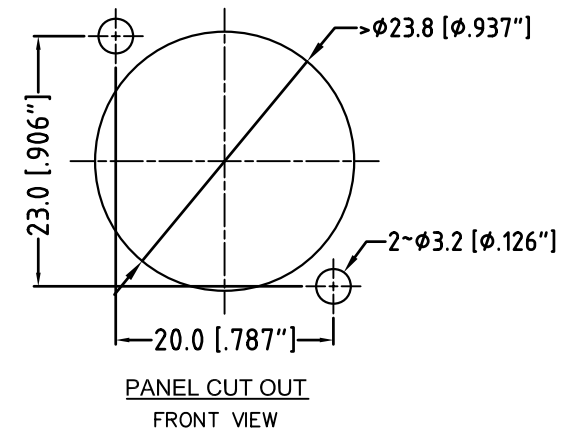
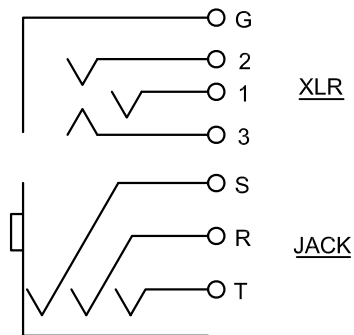


UNLESS OTHERWISE SPECIFIED TOLERANCE TO BE		THIS DOCUMENT IS THE PROPERTY OF AMPHENOL AUSTRALIA PTY. LTD. NO PART THEREOF MAY BE REPRODUCED AND USED WITHOUT THE PRIOR WRITTEN CONSENT OF THE OWNER				1	Correct Minimum Mounting Pitch dimension from 14mm to 27mm	M.H	19-03-09	8811			
LINEAR	ANGULAR	CAD FILE: 55010428000111				DRN:	M.H	DATE:	05-10-07	TITLE:			
X ± 0.5	X° ± 1°					CDK:	P.M	DATE:	19-03-09	ACJC6S	Amphenol Amphenol Australia Pty.Ltd, 2 Fireways Blvd, Keysborough, Vic3173		
X.X ± 0.1	X*X° ± 30'					MATL:	REFER TO COMPONENT	APP'D:	P.M	DATE:			
X.XX ± 0.05	X*X°X' ± 15'	DO NOT SCALE	FINISH:	REFER TO COMPONENT	SCALE:	2:1 UDS	PART No:	ACJC6S	SIZE:	A3			
BREAK ALL SHARP EDGES AND REMOVE ALL BURRS		DIMENSIONS IN MILLIMETRES				THIRD ANGLE PROJECTION		DRAWING NO.		SHEET			
								55010428-000-1		2 OF 2			



MIN MOUNTING PITCH
ACTUAL SIZE

CONTACTS SCHEMATIC CHART



UNLESS OTHERWISE SPECIFIED TOLERANCE TO BE		THIS DOCUMENT IS THE PROPERTY OF AMPHENOL AUSTRALIA PTY. LTD. NO PART THEREOF MAY BE REPRODUCED AND USED WITHOUT THE PRIOR WRITTEN CONSENT OF THE OWNER				1	Correct Minimum Mounting Pitch dimension from 14mm to 27mm	M.H	19-03-09	8811
LINEAR	ANGULAR	CAD FILE: 55010429000110				DRN:	M.H	DATE:	05-10-07	TITLE:
X ± 0.5	X° ± 1°	MATERIAL: REFER TO COMPONENT				CKD:	P.M	DATE:	19-03-09	ACJC6SL
X.X ± 0.1	X*X° ± 30'	DO NOT SCALE				FINISH:	REFER TO COMPONENT	APP'D:	P.M	DATE:
X.XX ± 0.05	X*X°X° ± 15'	DIMENSIONS IN MILLIMETRES				SCALE:	2:1 UDS	PART No:	ACJC6SL	SIZE: A3
BREAK ALL SHARP EDGES AND REMOVE ALL BURRS		THIRD ANGLE PROJECTION				CUSTOMER DRAWING		Amphenol		
						DRAWING NO.		Amphenol Australia Pty.Ltd, 2 Fireways Blvd, Keysborough, Vic3173		
						SHEET		55010429-000-1		
						2 OF 2				