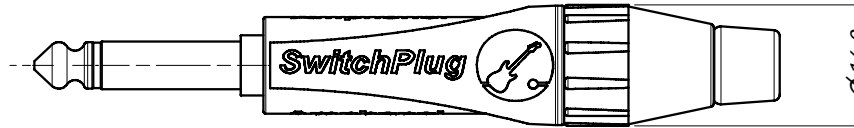
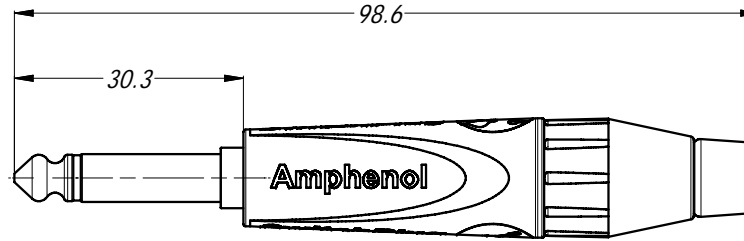
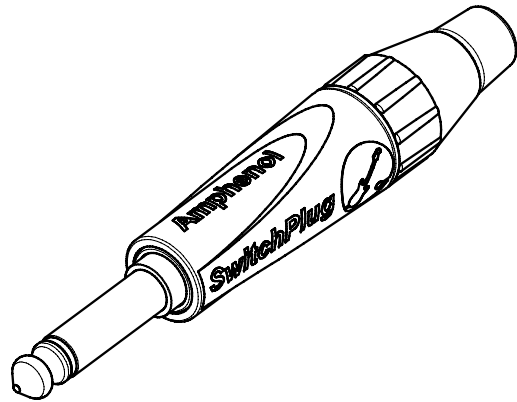


LEGEND  = KEY PRODUCT CHARACTERISTICS

REVISION HISTORY

REV	DESCRIPTION	BY	DATE	ECN
0	FIRST ISSUE	T.N	26/11/10	8968



PART NUMBER BREAKDOWN

TM1P B J - AU BULK

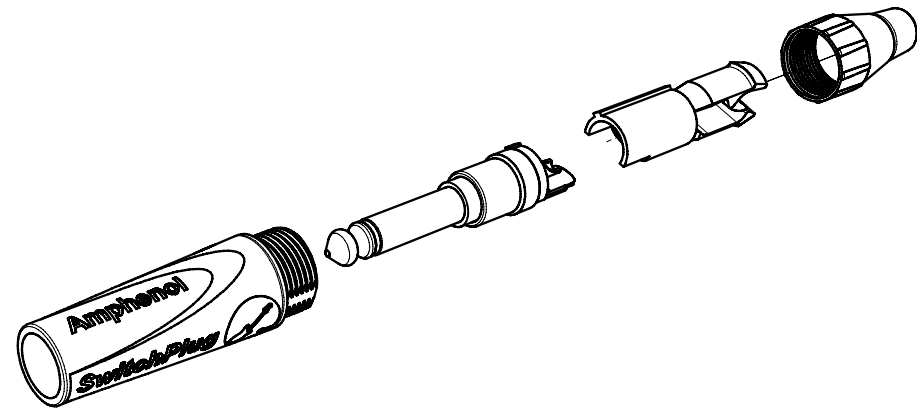
SERIES DESIGNATION

SHELL FINISH
BLANK: NICKEL
B: BLACK

CABLE CLAMP
BLANK: STANDARD
J: LARGE

CONTACT FINISH
BLANK: NICKEL
AU: GOLD

PACKING:
BLANK: SINGLE
BULK: BULK PACK



UNLESS OTHERWISE SPECIFIED TOLERANCE TO BE	
LINEAR	ANGULAR
X ± 0.5	X' ± 1
X.X ± 0.1	X.X' ± 30'
X.XX ± 0.05	X.XX" ± 15'

BREAK ALL SHARP EDGES AND REMOVE ALL BURRS

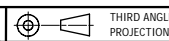
DO NOT SCALE

DIMENSIONS IN MILLIMETRES

THIS DOCUMENT IS THE PROPERTY OF AMPHENOL AUSTRALIA PTY. LTD.
NO PART THEREOF MAY BE REPRODUCED AND USED WITHOUT THE PRIOR WRITTEN CONSENT OF THE OWNER

MATERIAL: SEE COMPONENTS

FINISH:



DRN: T.N	DATE: 13/10/10
CKD: P.M	DATE: 13/10/10
APP'D: P.M	DATE: 13/10/10

SCALE: 1:1 SIZE: A4

Amphenol Amphenol Australia Pty.Ltd,
2 Fiveways Blvd, Keysborough, VIC 3173

TITLE: SWITCH PLUG STRAIGHT PRO RANGE

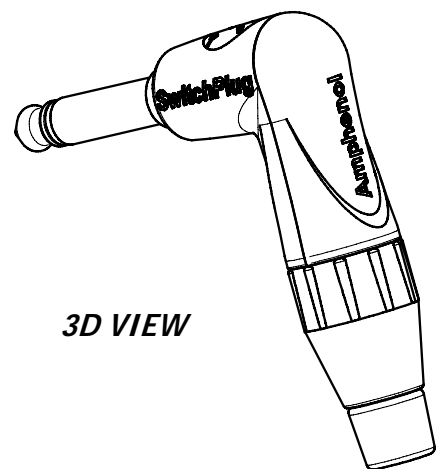
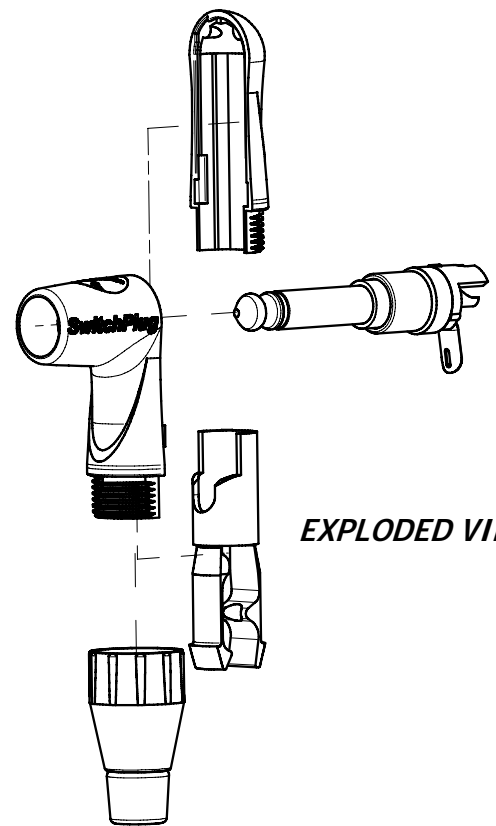
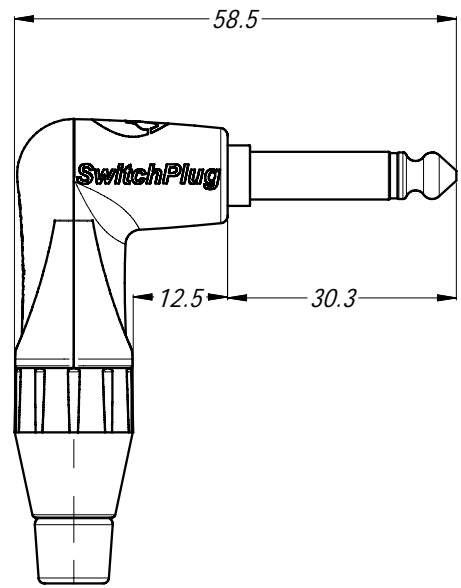
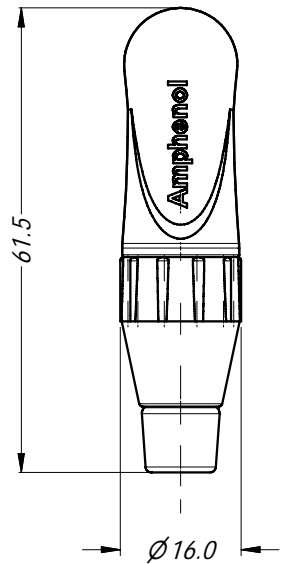
CAD FILE: 55010716000110

PART No. SEE P/No BREAKDOWN

DRAWING No. 55010716-000-2 SHEET 2/2

LEGEND  = KEY PRODUCT CHARACTERISTICS

REVISION HISTORY				
REV	DESCRIPTION	BY	DATE	ECN
0	FIRST ISSUE	T.N	26/11/10	8968



PART NUMBER BREAKDOWN

TM1R B J - AU BULK

SERIES DESIGNATION

SHELL FINISH
BLANK: NICKEL
B: BLACK

PACKING:
BLANK: SINGLE
BULK: BULK PACK

CONTACT FINISH
BLANK: NICKEL
AU: GOLD

CABLE CLAMP
BLANK: STANDARD
J: LARGE

NOTES:

- STANDARD JAW CABLE CLAMP (BLACK) USED FOR CABLE OD 3.0 mm TO 5.5mm
LARGE JAW CABLE CLAMP (PURPLE) USED FOR CABLE OD 5.5mm TO 6.5mm

3D VIEW

UNLESS OTHERWISE SPECIFIED TOLERANCE TO BE		THIS DOCUMENT IS THE PROPERTY OF AMPHENOL AUSTRALIA PTY. LTD. NO PART THEREOF MAY BE REPRODUCED AND USED WITHOUT THE PRIOR WRITTEN CONSENT OF THE OWNER				Amphenol Amphenol Australia Pty.Ltd, 2 Fiveways Blvd, Keysborough, VIC 3173	
LINEAR	ANGULAR	MATERIAL:	DRN:	DATE:	TITLE:	PART No.	
X ± 0.5	X' ± 1	SEE COMPONENTS	T.N	13/10/10	SWITCH PLUG RIGHT ANGLE PRO RANGE	SEE P/No. BREAKDOWN	
X.X ± 0.1	X.X' ± 30'	DO NOT SCALE	P.M	13/10/10		DRAWING No.	SHEET
X.XX ± 0.05	X.XX' ± 15'	FINISH: SEE PART No.	P.M	13/10/10		55010717-000-2	2/2
DIMENSIONS IN MILLIMETRES		THIRD ANGLE PROJECTION	SCALE: 1:1	SIZE: A4	CAD FILE: 55010717000110	55010717-000-2	