

1

2

3

4

5

6

A

A

B

B

C

C

D

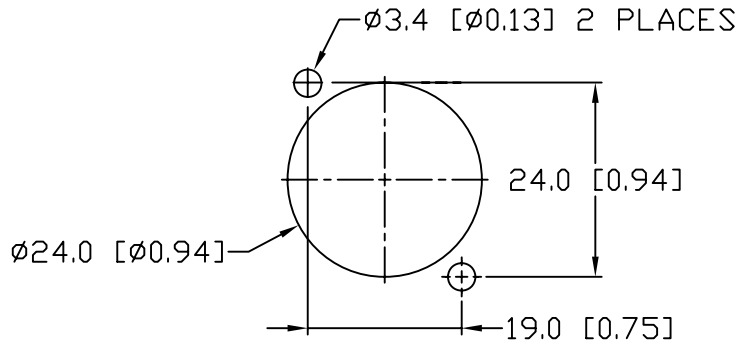
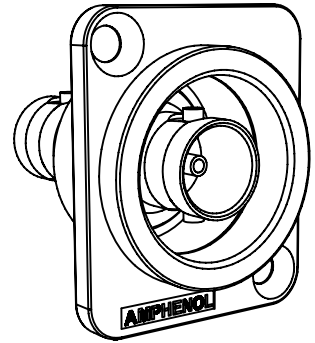
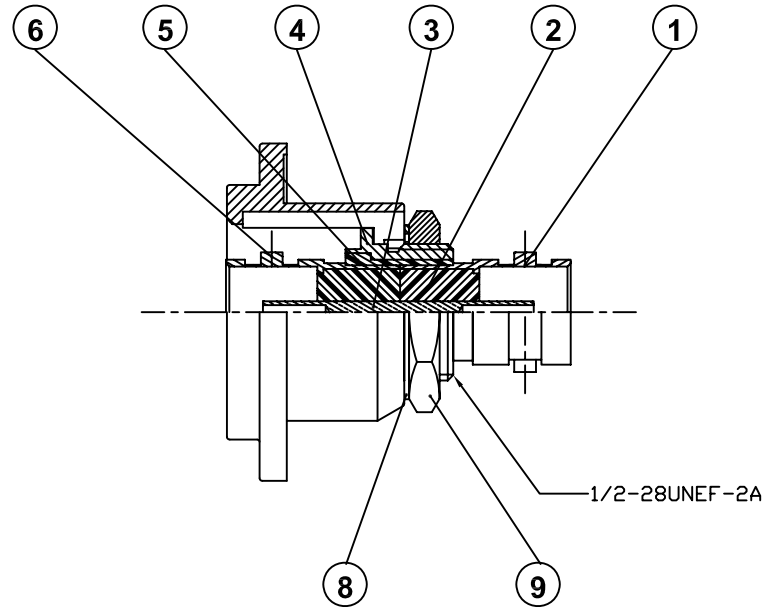
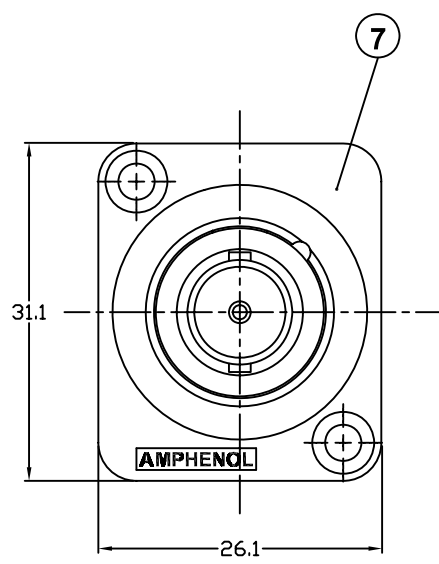
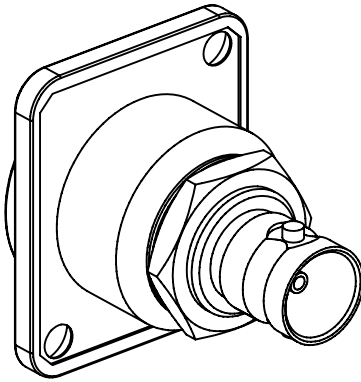
D

E

E

F

F



CATALOGUE P/N	SHELL FINISH
AC-BNC-JJ-75	SATIN NICKEL
AC-BNC-JJ-75B	MATT BLACK

MOUNTING DETAILS

(DIMENSIONS IN PARENTHESES ARE IN INCHES)

NOTE:

- 1. IMPEDANCY: 75 OHM
- 4. FREQUENCY RANGE: DC-3GHz

ITEM	PART No.	DWG No.	DESCRIPTION	QTY
9	HN16-1/2-28X28	HN16-1/2-28X28	HEX NUT	01
8	LW-16/13X05	LW-16/13X05	LOCK WASHR	01
7	5348001-331	5348001-331-1	SHELL	01
6	87925-5	87925-5	BODY	01
5	87925-4-A	87925-4-A	INSULATOR	01
4	87925-6-C	87925-6-C	HOUSING	01
3	87900-4	87900-4	CONTACT PIN	01
2	87996ZZ-3-57	87996ZZ-3-57	INSULATOR	02
1	87925-1-B	87925-1-B	BODY	01

UNLESS OTHERWISE SPECIFIED TOLERANCE TO BE

LINEAR	ANGULAR
X ± 1	X' ± 1'
X.X ± 0.5	X'X' ± 30'
X.XX ± 0.10	X'X'X' ± 15'

BREAK ALL SHARP EDGES AND REMOVE ALL BURRS

DO NOT SCALE

THIRD ANGLE PROJECTION

REV.	DESCRIPTION	BY	DATE	CHG/No
1	UPDATE DRAWING WITH CAT P/N AC-BNC-JJ-75/B IMPROVED FREQUENCY RANGE TO 3 GHz	M.H	14-07-10	8922
0	FIRST ISSUE	M.H	07-08-00	----
	CHANGE DETAILS			

CAD FILE: 55010008000111 DRN: M.H DATE: 07-08-00

MATL: SEE COMPONENT CKD: M.H DATE: 14-07-10

FINISH: SEE TABLE APP'D: M.H DATE: 14-07-10

SCALE: 2:1 PART No: SEE TABLE SIZE: A3

TITLE: AC SERIES BNC JACK-JACK 75 Ohm INSERT

Amphenol
Amphenol Australia Pty Ltd, 2 Freeways Blvd, Keysborough, Vc3173
DRAWING NO. 55010008-000 SHEET 1 OF 1

1

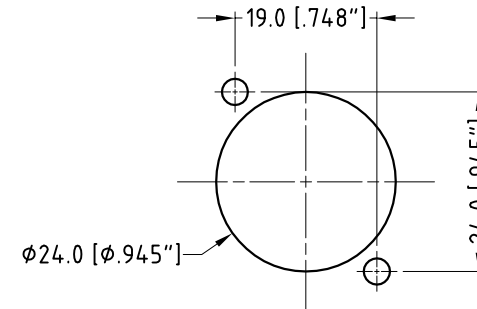
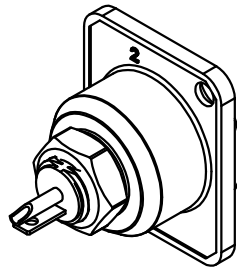
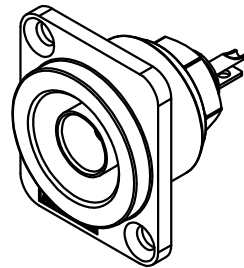
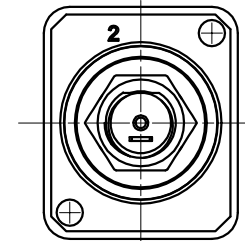
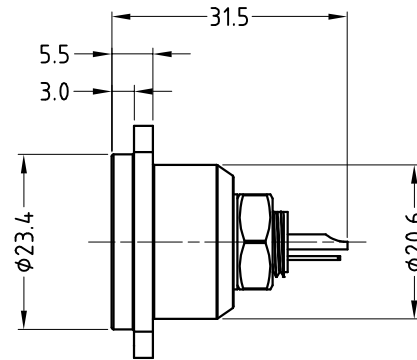
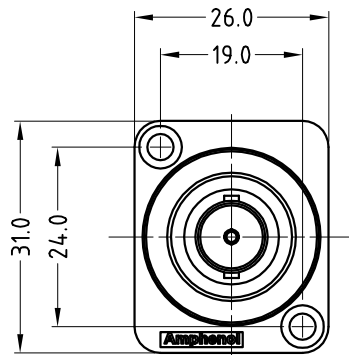
2

3

4

5

6



PANEL CUTOUT

PART NUMBER	SHELL FINISH
AC-BNC-JS-75	SATIN NICKEL PLATING
AC-BNC-JS-75B	MATT BLACK COATING

UNLESS OTHERWISE SPECIFIED TOLERANCE TO BE		THIS DOCUMENT IS THE PROPERTY OF AMPHENOL AUSTRALIA PTY. LTD.. NO PART THEREOF MAY BE REPRODUCED AND USED WITHOUT THE PRIOR WRITTEN CONSENT OF THE OWNER			0	FIRST ISSUE	L.V	10-06-05	----
LINEAR	ANGULAR	CAD FILE: 55010325000220			REV.	CHANGE DETAILS	BY	DATE	CHG/No
X ± 0.5	X° ± 1°	DRN: L.V	DATE: 10-06-05	TITLE: BNC D-SHELL RECEPTACLE CUSTOMER DWG		Amphenol			
X,X ± 0.1	X°X' ± 30'	MATL: REFER TO COMPONENT	CKD: M.N.H	DATE: 17-06-05	Amphenol Australia Pty Ltd, 2 Fireways Blvd, Keysborough, Vic3173		DRAWING NO.		
X,X,X ± 0.05	X°X'X" ± 15"	FINISH: REFER TO COMPONENT	APP'D: P.M	DATE: 27-06-05	PART No: REFER TO TABLE		SIZE: A4	55010325-000-2	
DO NOT SCALE		THIRD ANGLE PROJECTION		SCALE: 1:1 UOS	SHEET		2 OF 2		
DIMENSIONS IN MILLIMETRES									